

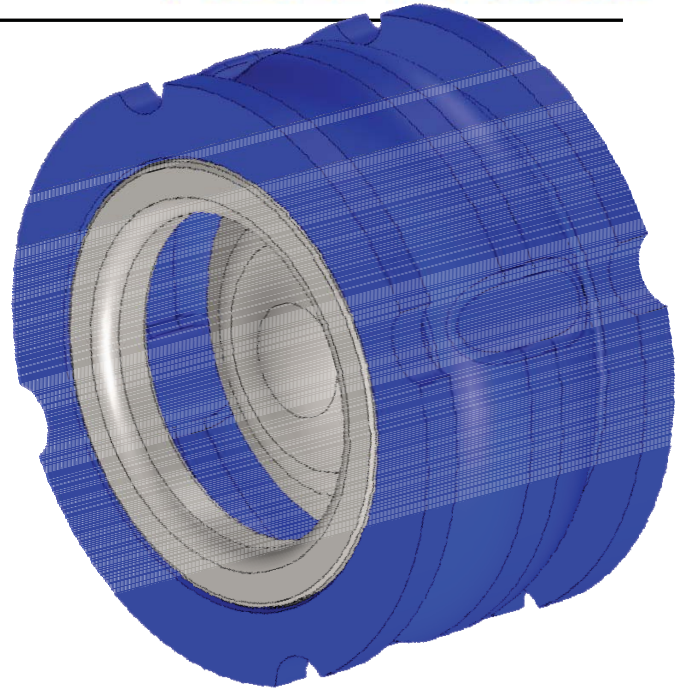
## Flomatic Wafer Style Check Valve

(Patent Pending)

### Series 888 VFD

Compatible with VFD Controlled Pumps

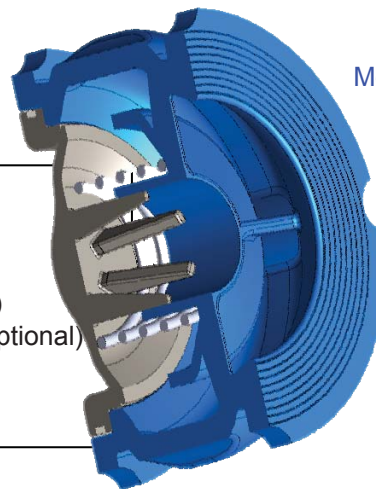
- Variable Flow Rates (VFD Controlled Pumps)
- Booster Pump Systems
- Municipal/Public Water Systems
- Sizes 2" thru 10"
- Optional Body/Seat materials



Flomatic Check Valve  
Model 888 VFD (Patent Pending)

#### Features & Benefits

- Lower Friction Loss
- Unique one piece poppet guide
- Stainless Steel Guiding (Replaceable)
- Strong Ductile Iron Valve Body (SS Optional)
- Un-Leaded Body, NSF 372 Certified
- Larger OD Spring for better control.



**Industry First Energy  
Efficient VFD Designed  
Wafer Check Valve**  
(Patent Pending)

#### Materials

- **Valve body:** Ductile Iron (316SS optional)
- **Valve Guide:** 316 Stainless Steel
- **Follower:** 316SS (Bronze Optional)
- **Elastomer Disc:** EPDM (FDA approved)
- **Spring:** 302 Stainless Steel (316SS Optional)

#### Lead Free

The Series 888 VFD Wafer Check Valves conforms to the "California Lead Plumbing Law" or "Complies with California Lead Plumbing Law" and Vermont State certified to IAPMO R&T certification mark and the Uniform Plumbing Code.



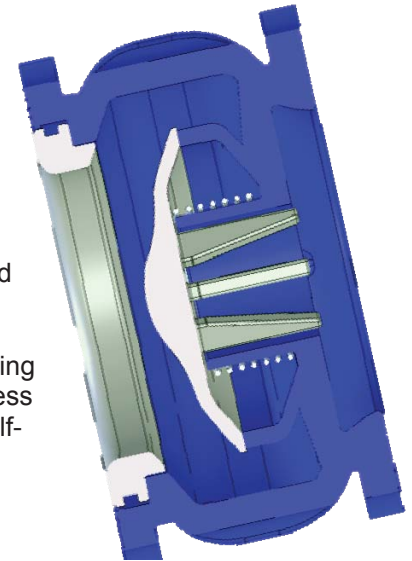
**FLOMATIC® VALVES**

High Quality Valves Built to Last . . .

Flomatic Corporation, 15 Pruyn's Island Drive, Glens Falls, New York 12801  
Phone: 518-761-9797 Fax: 518-791-9798



## Flomatic Wafer Style Check Valve Series 888 VFD Stainless Steel Guided (Patent Pending)



### Product Operation

The Flomatic Model 888 VFD is designed to minimize flow losses and hydraulic shocks in the pumping system. The standard epoxy coated (NSF approved powder) ductile iron body is equipped with stainless steel valve trim. The patent pending spring loaded poppet system is guided in an oversized bushing for stability. The unique poppet system insures that the valve operates quietly and efficiently during various flow rates with VFD controlled pumps. Automatically closes tight and noiseless after each pump cycle. The angled valve seat allows a self-cleaning action and a self-centering of the valve disc for a tight seal. All internal parts are made from corrosion resistant material.

### New Compact Design

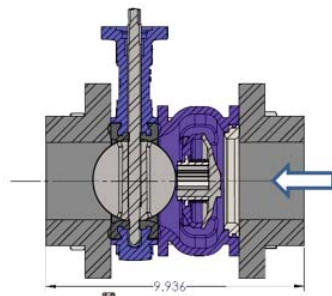


Fig. 1 & 2

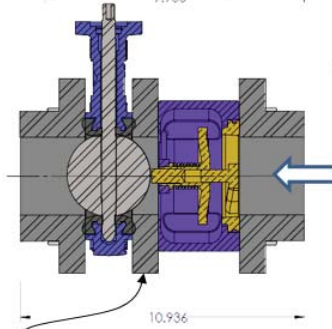
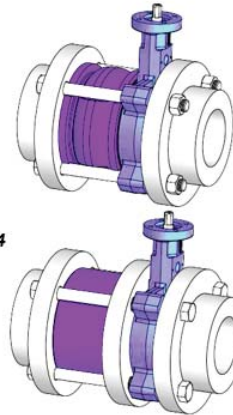


Fig. 3 & 4

Spacer or a longer spool piece in larger size valves



The new Flomatic Model 888 VFD Wafer Check Valve (Fig. 1 & 2) can be close coupled with a Butterfly valve. Butterfly valve can be operated with the check valve in an "open" or "closed" position with no interference in 2" thru 6" sizes. The overall length is much shorter than a traditional combination of a wafer style check valve and a butterfly valve.

A traditional Wafer Check Valve (Fig. 3 & 4) cannot be close coupled with a Butterfly valve without a spacer or spool piece, longer bolts and additional flange gasket. This spool piece adds weight, takes up more space, parts and expense.

### Product Specification

- Connection: 2" thru 10" (ANSI 150# & 250#)
- Max pressure: ANSI 150# / 300# 400 PSI (27.6 bar)
- Max temperature: 180°F (80°C)

### Valve Material Options

- All 316SS body and seat trim
  - Model 888S6 VFD
- Ductile Iron Body with 316SS seat trim
  - Model 888ST VFD (Standard)
- Add "R" after part number for EDPM seating
- Add "V" after part number for Viton Seating

Additional Sizes and Models will be available in 2016  
[www.flomatic.com](http://www.flomatic.com)

SIZE	PART #	WGT.
2"	2434VFD	5
2 1/2"	2432VFD	7
3"	2435VFD	11
4"	2436VFD	18
5"	2433VFD	25
6"	2437VFD	36
8" *	2438VFD	80
8***	2438-2VFD**	85
10**	2439VFD*	129

Sizes 2"-6" are dual rated for 150# and 250#

\* Size 8" & 10" ANSI 125#

\*\* Size 8" ANSI 250#

### Product Warranty

- Flomatic standard one year standard valve product warranty applies. See price list with warranty information for details.



Bulletin 06-01-2016 Rev 1

15 Prun's Island Drive, Glens Falls, New York 12801-4424  
Phone: 1-800-833-2040 Fax: 518-791-9798

[www.flomatic.com](http://www.flomatic.com)

**FLOMATIC** VALVES

High Quality Valves Built to Last . . .